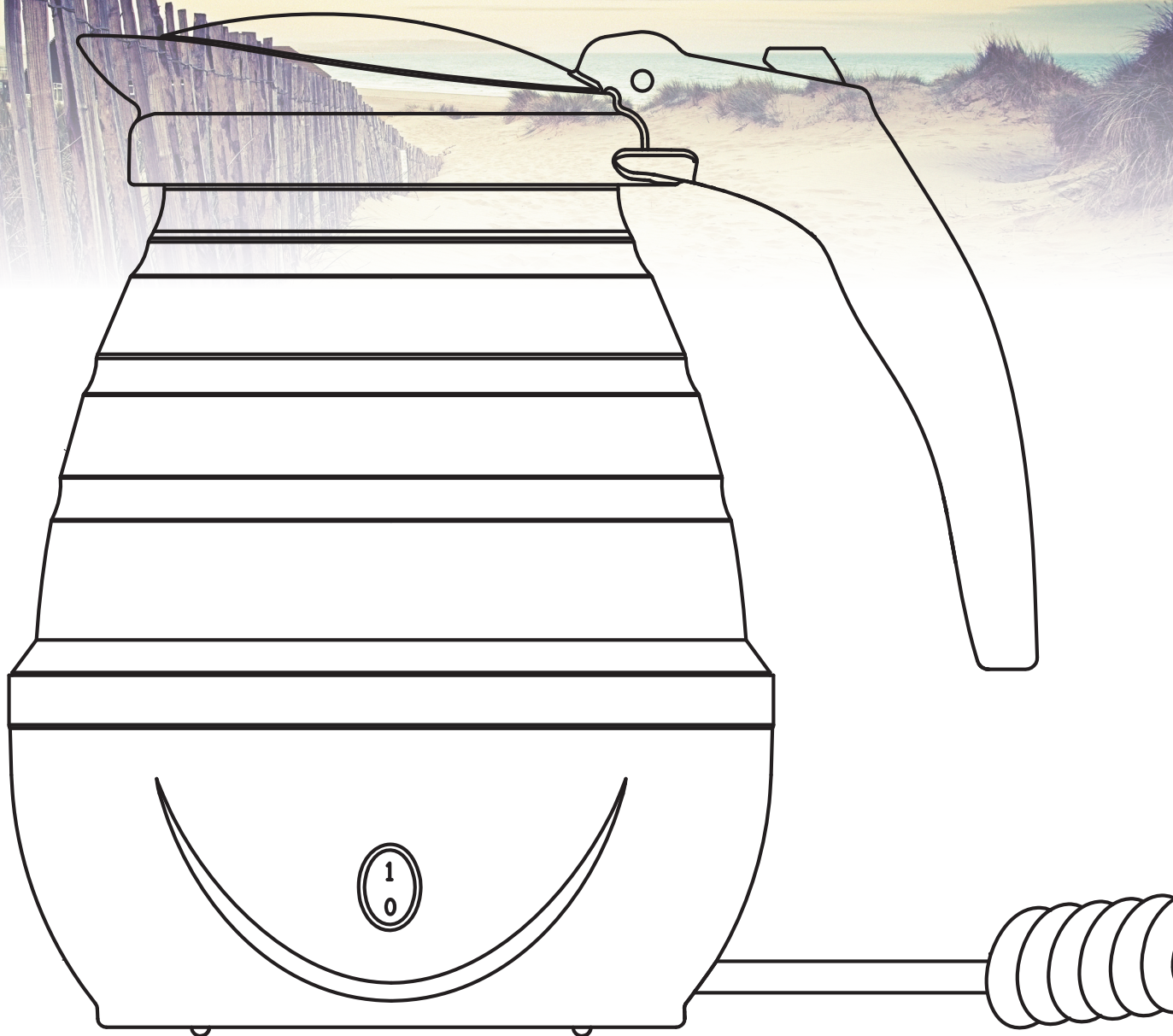


QUEST

leisure products



K0026 Braunton collapsible kettle

• Instructions •

Thank you

for purchasing this product. At Quest we take every care to ensure that the product fulfils your expectations. We hope you enjoy using this product

General Use



This is not a toy. Children should not be left unattended with the product. Injury or death may result from misuse of this product. This is an electric kettle and will get hot, you MUST always take care when the product is in use as any surface could become hot.

- Please be aware that this kettle will automatically cut off when the water reaches the correct temperature, but if the kettle is left plugged in and the temperature drops to below 70 degrees then it will start re-boiling again. If left to boil and re-boil, eventually the kettle will boil dry and damage will occur, so the kettle must be unplugged once it has been boiled, or switched off via the power button.
- Please keep these instructions, the sales receipt and, if possible, the carton with the inner packaging.
- Before first use, fill the kettle with clean water to maximum capacity and boil. Discard the water and repeat the process two times.
- This product is not intended to be used by persons (including children) with reduced physical, sensory or mental capabilities, or lack of experience and knowledge, unless they have been given supervision or instructions concerning the use of the product by a person that is responsible for their safety.
- By ignoring the safety instructions the manufacturer can not be held responsible for any damage or injury caused by the product.
- To protect children against the dangers of electrical appliances, please make sure that you never leave the product unattended. Therefore you have to select a storage place for the product where children are not able to grab it and ensure the cable is not hanging in a downward position.
- Keep the product and its cord out of reach of children less than 8 years. Children shall not play with the product, even when not turned on.
- The product must be placed on a stable, level surface and stored in a dry environment.
- Do not use the kettle if wet or touch the plug or operate it with wet hands.
- The user must not leave the product unattended while it is connected to the power supply.
- Make sure the voltage which is indicated on the device matches the local voltage and put the power cable into the socket.
- This product complies with all standards regarding electromagnetic fields (EMF). If handled properly and according to the instructions in this user manual, the product is safe to use based on scientific evidence available today.
- Note: To avoid danger by accidental resetting the thermal protection, this product may not be powered through an external switching device, such as a timer, or connected to a circuit that regularly will be switched on or off.



Quest manual download site

The quest manual download site can be found at the url below or the QR code to the left

<http://www.questleisure.com/manuals>.



General Use

General usage and details about your product

General Use

- If the supply cord is damaged, it must be replaced by the manufacturer, a service agent or a similarly qualified person in order to avoid a hazard and invalidate your warranty. Never use the kettle with a damaged cord.
- To avoid against fire, do not use in the presence of explosive and/or flammable fumes. Do not use this kettle on or near gas or electric burners or in a heated oven.
- This product gets hot during use and takes time to cool down. Do not touch hot surfaces. Use handles or knobs.
- Do not use this product in the bathroom or near a sink filled with water. If this product has fallen into the water do not under no circumstances directly grab this product, but first pull the plug from the socket.
- Make sure that the cord does not touch any hot surfaces.
- Never move the product by pulling the cord and make sure the cord can not become entangled.
- If the kettle overheats, turn it off, unplug and allow to cool down at least 10 minutes before turning back on.
- NEVER cover the kettle with anything when in use as this could cause overheating or fire.
- Never overfill the kettle as boiling water may be ejected.
- Only fill with cold water, above the minimum level and up to the maximum level indicator only.
- To avoid possible steam damage, do not face the spout when using the kettle.
- If operated on wood furniture or delicate surfaces always use a protective pad to prevent damage
- To avoid scalding always ensure the lid is closed correctly before use. Scalding may occur if the lid is removed while heating.
- Remove and replace the lid carefully when hot
- Extreme caution must be used when moving the kettle containing hot water. Never lift the kettle by its lid. Always use the body handle.
- Do not switch the kettle on if it is empty.
- Use the kettle only with the supplied base unit. Do not use the base unit for other purposes.
- Whilst the water is boiling or shortly after the water has boiled, do not attempt to open the lid as this could lead to scalding
- Regularly clean and descale the kettle as build up of limescale can affect the running of the kettle.
- The heater has an automatic safety cut out which means , once the water inside gets to the required temperature it cuts out automatically. NEVER rely on this cutout switch to turn the kettle off when it is not required. Always turn the kettle off when not in use.
- The kettle should always be unplugged when filling or adding water
- Ensure the kettle is unplugged before pouring water from it.
- This kettle is fitted with a locking lid for additional safety, please ensure the lid is locked when in use and unlocked before opening.
- Do not force the lid open, if the lid is tight, then please check that it is unlocked first.

Storage , Care and Cleaning

Details on how to look after your product.

Storage

To help keep your product looking newer for longer and prolong the life and use of the product, we recommended that the product is always cleaned after use and stored in a clean, dry and free from damp location.

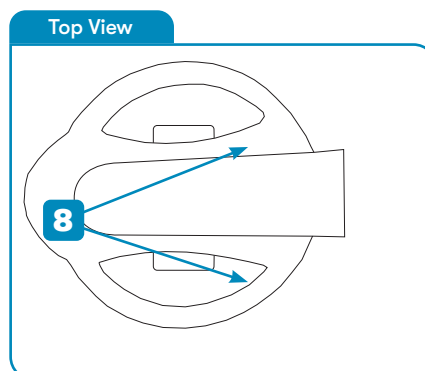
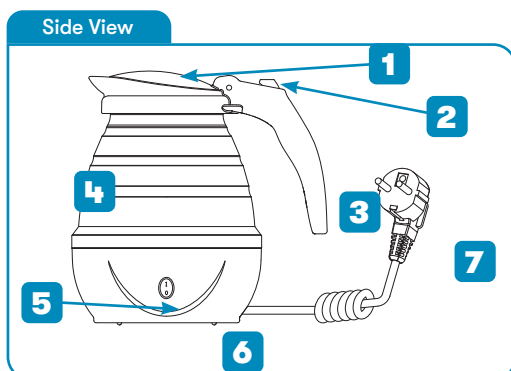
Care and Cleaning Instructions

Care should always be taken when cleaning this product. Use of harsh cleaners could damage the product and should never be used. To clean this product we recommend this procedure:

- Before cleaning the kettle, turn off, unplug and allow to cool before using a damp cloth to wipe the kettle down.
- Do not use detergents, abrasive cleaning liquids or chemicals to clean this kettle.
- Wipe the exterior of the kettle with a soft damp cloth or sponge. Remove stubborn spots with a cloth moistened with mild liquid detergent.
- Never immerse the kettle in water or any other liquids.
- From time to time, depending upon the nature of your water supply, a scale deposit will form around the heating element which will reduce the heating efficiency.
- The amount of scale deposited, and subsequently the need to clean or rescale, largely depends on the water hardness in your area the and the frequency with which the kettle is used.
- Scale is not harmful to your health, but if poured into your beverage it can give a powdery taste to your drink. Therefore the kettle should be descaled periodically as indicated below.

Descaling

- Descale kettle regularly. With normal use in non-hard water areas, at least twice a year.
- Fill the kettle up to “max” with a mixture of one part ordinary vinegar and two parts water.
- Switch on and wait for the appliance to switch off automatically.
- Let the mixture remain inside the kettle overnight.
- Discard the mixture the next morning.
- Fill the kettle with clean water up to “max” mark and boil again.
- Discard the boiled water to remove any remaining scale and vinegar.
- Rinse the inside of the kettle with clean water.



1. Kettle lid.
2. Push button opener for lid.
3. Handle.
4. Kettle collapsible body.
5. Power switch (on/off).
6. Base.
7. Power cord with plug.
8. Lid Lock



Warranty

Details on the warranty that comes with your product.

Warranty : 12 Months (1 Year) warranty.

Warranty Claim

- In the unlikely event of a warranty claim, you must contact your retailer.
- If you have not registered your product, first fill out the registration form overleaf and take this with you when you go to your retailer.
- Take the product to your retailer that you purchased it from along with your proof of purchase and explain the issue with the retailer.
- The retailer will then check the product and get in touch with the wholesaler or manufacturer.
- The retailer will keep you informed of the progress of the claim.
- The wholesaler or manufacturer will not (unless under special circumstances) get in touch with you as all information will be passed back directly to the retailer.

Warranty Information

- This product comes with a full 12 month manufacturers defect warranty and covers any manufacturers defects for one (1) year from the date of the original purchase. It does not cover any damage occurred though:
 - The product falling, being dropped, scratched or damaged in any way.
 - The product has been technically changed by the owner or another third party
 - Improper use of the product.
 - Normal wear and tear - which includes (but is not limited to): colour fading, wearing, stretching.
- The affected part will be replaced or repaired (manufacturers option) if they are found to be defective within the one (1) year time frame.
- The warranty will be void if the product has been subject to neglect, misuse, improper installation, misapplication, alteration or accident including, but not limited to, improper installation, maintenance or use of unauthorised parts or attachments.
- Damage caused by not following the instruction manual in full will invalidate the warranty, if this results in consequential damages, Quest will not be liable for these damages or any costs incurred due to these damages.
- Quest will not be liable for material damage or personal injury caused by improper use or if the safety instructions are not properly executed in full.
- All claims must be made through the retailer you purchased the product from and not direct with the wholesaler or manufacturer.
- Warranty claims cannot be honoured without an original dated receipt and or proof of purchase.
- By executing repairs the original warranty period of one (1) year will not be extended, nor the right to a complied new warranty. This warranty is only legal on European soil.
- This warranty does not overrule the European directive 2011/83/EU.
- This product may not be amended or changed.



www.questleisure.com



twitter.com/questleisure



facebook.com/questleisure



youtube.com/questleisure