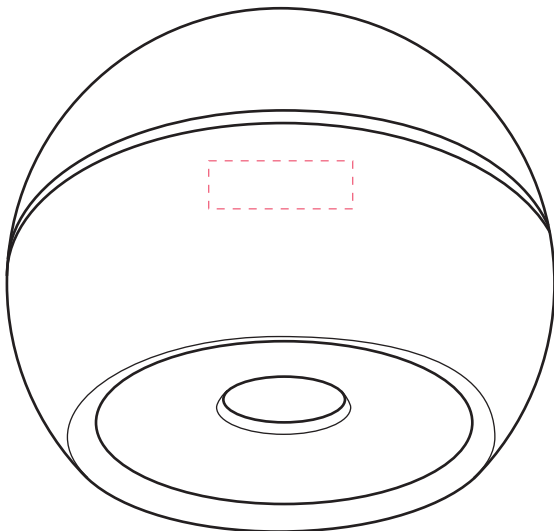


MFL71

360 Degree Magnetic Work Light

Imprint Area: .25 x .75



Dotted line shows imprint area and will not print.